

Tankless water heaters for the professional

# *ProTankless*<sup>™</sup> GWH 635 ES

## Features:

- ▶ Electronic ignition and built-in power vent
- ▶ 87% average efficiency – energy factor of .85
- ▶ Vents vertically or horizontally with 3" stainless steel (AL29-4C)
- ▶ Direct vent room-sealed combustion
- ▶ Computerized temperature control – ensures constant temperature
- ▶ Available in Natural Gas (NG) or Liquid Propane (LP)
- ▶ 15-Year warranty



**Versatility and  
Dependability.**



**BOSCH**

Invented for life

# With sealed combustion, a 3" vent, and the ability to vent either horizontally or vertically, the GWH 635 ES can be installed almost anywhere.

## GWH 635 ES Technical Specifications

Power Input	Natural Gas: 35,000 - 175,000 Btu
	LP Gas: 31,000 - 175,000 Btu
Minimum Flow to Activate	0.8 gallons per minute (gpm)
Flow Rates	45°F rise @ 6.4 gpm
	55°F rise @ 5.2 gpm
	65°F rise @ 4.5 gpm
	77°F rise @ 3.7 gpm
	90°F rise @ 3.2 gpm
Energy Factor	NG: .85 LP: .86
Thermal Efficiency	NG: 87% LP: 86%
Dimensions	23.5" h x 15.75" w x 8.5"d
Weight	47 lbs.
Modulating Gas Valve	Yes
Ignition	Electronic
Accessories	Vent Kit (Part #4TWGVK35)
	Wireless Remote (Part #TSTAT2)

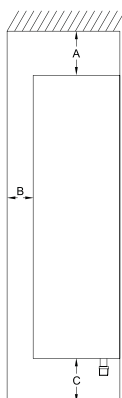
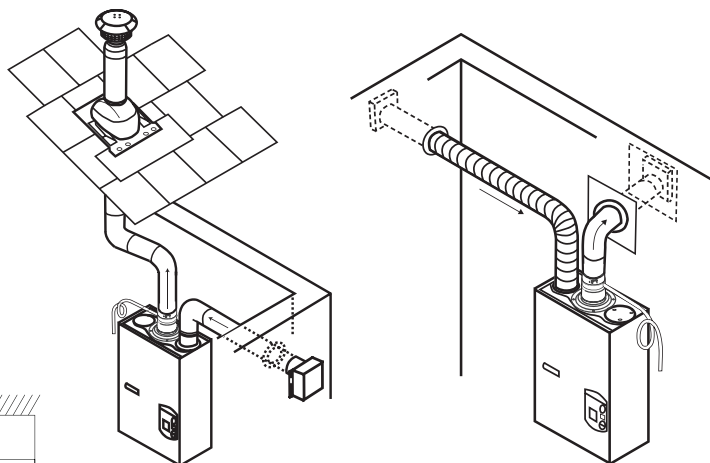
Solid Copper Heat Exchanger  
 LCD Display  
 Temperature Control Buttons



## GWH 635 ES Installation Specifications

Gas Connection	3/4" Male NPT
Water Connections	3/4" Male NPT
NG Gas Pressure	Minimum: 5" WC
	Maximum: 14" WC
LP Gas Pressure	Minimum: 11" WC
	Maximum: 14" WC
Water Pressure	Minimum: 30 PSI
	Maximum: 150 PSI
Electrical Supply	120VAC – plugs in
Vent Size	3" stainless steel (AL29-4C) – Direct vent room-sealed combustion

## Model GWH 635 ES Venting Configurations



Ships complete with wall mounting bracket, pressure relief valve, condensate drain kit, built-in electronic temperature controls and equipped with 120V power plug-in power cord.

## GWH 635 ES Installation Clearances

Top (A)	12"
Front (B)	4"
Back	0"
Sides	1"
Floor (C)	12"



**BBT NORTH AMERICA CORPORATION**  
 Bosch Group

Bosch Water Heating  
 340 Mad River Park  
 Waitsfield, VT 05673

Telephone: 866.642.3198  
 www.boschpro.com



**BOSCH**  
 Invented for life