

Tankless water heaters for the professional

***ProTankless™* GWH 715 ES**

Features:

- ▶ 82% thermal efficiency – .82 energy factor
- ▶ Direct vent, room-sealed combustion
- ▶ Vents vertically or horizontally with 3" stainless steel (AL29-4C)
- ▶ Ability to cascade units for increased flow rates
- ▶ Outdoor installation using optional kit
- ▶ Suitable for recirculating applications
- ▶ Available in natural gas (NG) or liquid propane (LP)
- ▶ 15-year warranty



Versatility and Dependability



BOSCH

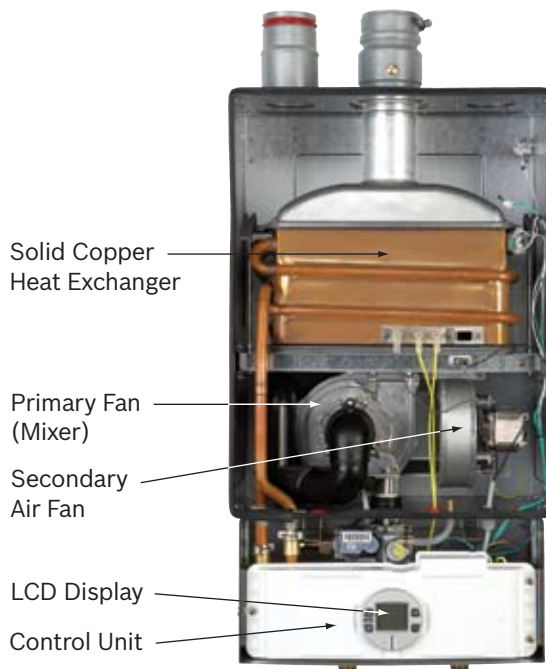
Invented for life

Qualifies for \$300 U.S. Federal Tax Credit



The GWH 715 ES will meet the demands of a busy household and can be installed almost anywhere. Our new generation of tankless water heaters offer higher flow rates, recirculation capabilities, sealed combustion, vertical or horizontal venting and an outdoor installation option.

GWH 715 ES Technical Specifications	
Power Input	Natural Gas: 199,000 BTU/Hr
	LP Gas: 199,000 BTU/Hr
Minimum Flow to Activate	0.65 gallons per minute (gpm)
Flow Rates	35° F rise @ 9.2 gpm
	45° F rise @ 7.2 gpm
	55° F rise @ 5.9 gpm
	65° F rise @ 5.0 gpm
	77° F rise @ 4.2 gpm
90° F rise @ 3.6 gpm	
Energy Factor	NG: .81 LP: .82
Thermal Efficiency	NG: 82+% LP: 82+%
Dimensions	30.5" h x 17.875" w x 11.25" d
Weight	67 lbs.
Modulating Gas Valve	Min. Firing Rate: 19,900 BTU/Hr
	Max. Firing Rate: 199,000 BTU/Hr
Ignition	Electronic
Accessories	Horizontal Vent Kit (#4TWHVK3S)
	Outdoor Kit (#PTOK)
	Wireless Remote (#TSTAT2)
	Tankless Link Cascading Kit (#TLINK)

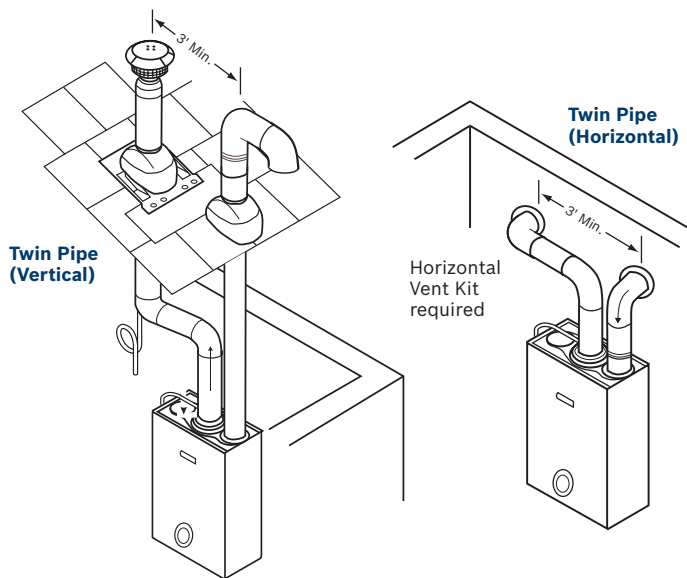


GWH 715 ES Installation Specifications	
Gas Connection	¾" Male NPT
Water Connections	¾" Male NPT
NG Gas Pressure	Minimum: 4" WC
	Maximum: 14" WC
LP Gas Pressure	Minimum: 9" WC
	Maximum: 14" WC
Water Pressure	Minimum: 30 PSI (Well): 40 PSI
	Maximum: 150 PSI
Electrical Supply	120V – (plugs in)
Vent Size	3" or 4" stainless steel (AL29-4C) – Direct vent room-sealed combustion
Installation Clearances	Top: 12"
	Front: 1"
	Back: 0"
	Sides: 1"
Floor: 12"	

All information in both Technical and Installation Specification charts are for one GWH 715 ES.



Model GWH 715 ES Venting Configurations



Part # GWH 715 ES NG (Natural Gas)
 Part # GWH 715 ES LP (Liquid Propane)

Ships complete with wall mounting bracket, pressure relief valve, built-in electronic temperature controls and equipped with 120V plug-in power cord. Refer to manual for condensate drain and venting requirements.

BBT NORTH AMERICA CORPORATION
 Bosch Group

Bosch Water Heating
 50 Wentworth Avenue
 Londonderry, NH 03053

Telephone: 866.642.3198
 www.boschpro.com



BOSCH
 Invented for life